

Clarifier Series

APPLICATION GUIDE

The Clarifier Series offers treatment solutions for corrosion, chlorine, taste, odor, discolored water and turbidity through filtration.

WATER ISSUE:

Chlorine, musty, earthy odor/taste

Recommended product: **CLR-AC units**

WATER ISSUE:

Blue/green stains, pipe pitting, appliance corrosion

Recommended product: **CLR-AN units**

WATER ISSUE:

Turbidity

Recommended product: **CLR-MM units**



Dome hole feature standard on AN units

Product Versions	Mineral Tank Assembly Size	Cubic Feet Media	Backwash Flow (gpm)	Service Flow (gpm)
CLR-AC-10	10" x 54"	1.5	3.2	6.0
CLR-AC-13	13" x 54"	2.0	4.2	8.0
CLR-AN-10	10" x 54"	1.5	5.3	5.0
CLR-AN-13	13" x 54"	2.0	7.5	7.0
CLR-MM-10	10" x 54"	1.5	6.5	6.0
CLR-MM-13	13" x 54"	2.0	10	8.0

Clear Reflections

by **MASTER**
Water Conditioning Corp

Clarifier Series

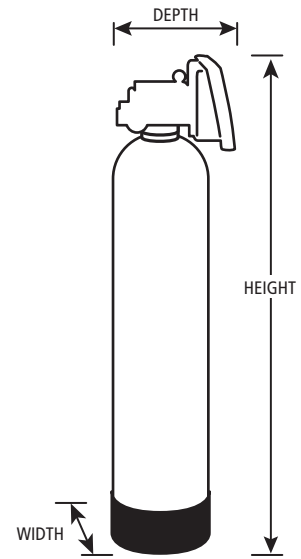
APPLICATION GUIDE

1. Will the Clarifier Series unit fit within the allocated space in my home?

Check table for space required

2. Will the Clarifier Series unit meet my flow demand?

Check table for flowrate



CLARIFIER SERIES SYSTEMS	CLR-AC Units Carbon Chlorine/Taste/Odor	CLR-AN Units Neutralizer Blue/Green Stains – Low pH	CLR-MM Units Turbidity Colored Water When Drawn
System Size based on bathrooms	<input type="radio"/> 1–2 Bathrooms CLR-AC-10 <input type="radio"/> 2.5–3 Bathrooms CLR-AC-13	<input type="radio"/> 1–1.5 Bathrooms CLR-AN-10 <input type="radio"/> 2–2.5 Bathrooms CLR-AN-13	<input type="radio"/> 1–2 Bathrooms CLR-MM-10 <input type="radio"/> 2.5–3 Bathrooms CLR-MM-13
Flowrate Required to operate system	<input type="radio"/> 3.2 gpm CLR-AC-10 <input type="radio"/> 4.2 gpm CLR-AC-13	<input type="radio"/> 5.3 gpm CLR-AN-10 <input type="radio"/> 7.5 gpm CLR-AN-13	<input type="radio"/> 6.5 gpm CLR-MM-10 <input type="radio"/> 10 gpm CLR-MM-13
Contaminant Limits	Turbidity ≤ 10 ntu Total Chlorine ≤ 4 ppm	pH ≥ 5.6 @ < 300 ppm TDS Hardness ≤ 10 gpg Total Iron ≤ 10 ppm Turbidity ≤ 25 ntu	Total Iron ≤ 20 ppm Turbidity ≤ 200 ntu
Application Notes	CLR-AC guidelines are based on dechlorination only. Catalytic Carbon option available.	High hardness can cause poor neutralizing performance and solidification of media. Iron bacteria will foul media.	≥ 10 Microns No hard solids (i.e. sand, grit)
Total Dimensions*	CLR-AC-10 10"W x 64"H x 16"D CLR-AC-13 13"W x 64"H x 16"D	CLR-AN-10 10"W x 64"H x 16"D CLR-AN-13 13"W x 64"H x 16"D	CLR-MM-10 10"W x 64"H x 16"D CLR-MM-13 13"W x 64"H x 16"D

* Depth size includes bypass and tail piece connection.

If above parameters cannot be used to determine system, call Master Water Conditioning.

Application notes:

- Accurate water analysis is critical
- Local conditions can influence system performance

Clear Reflections

by **MASTER**
Water Conditioning Corp.